

Indoor dry locations



5452

Part Number 5452

For price click www.radiantoptics.com/Controls/ThermostatWebPrice.pdf

Line Voltage, Single Stage, Heat Only Thermostat. A versatile economical indoor thermostat with the power to switch large loads. .

Specifications:

- Color White
- Outputs
 - Contacts have positive OFF position (open contacts)
 - Contacts DPST, 22A resistive 240VAC, 19A resistive 277VAC
 - See wiring diagram fig. 1 for line-neutral application
 - See wiring diagram fig. 2 for line-line applications
 - See wiring diagram fig. 3 for loads that are exceed the contacts
 - See wiring diagram fig. 4 for gas heaters
- Differential 3°F Fixed
- Control Range 40-85°F
- Dimensions H 4-1/2" W 2-3/4" D 2-1/4"
- Approvals UL Listed; File No. E47434, Guide No. XAPX; CSA
- Installation Mounts on 1-gang switch box
- Includes: Locking cover and range stops



5453

Part Number 5453

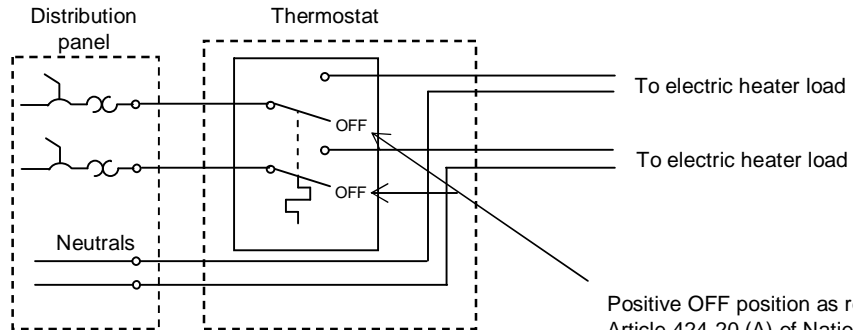
For price click www.radiantoptics.com/Controls/ThermostatWebPrice.pdf

Line Voltage, Single Stage, Heat Only Thermostat. A versatile economical indoor thermostat with the power to switch large loads.

Specifications:

- Color Brushed gold
- Outputs
 - Contacts have positive OFF position (open contacts)
 - Contacts DPST, 22A resistive 240VAC, 19A resistive 277VAC
 - See wiring diagram fig. 1 for line-neutral application
 - See wiring diagram fig. 2 for line-line applications
 - See wiring diagram fig. 3 for loads that are exceed the contact
 - See wiring diagram fig. 4 for gas heaters
- Differential 3°F Fixed
- Control Range 40-85°F
- Dimensions H 4-1/2" W 2-3/4" D 2-1/4"
- Approvals UL Listed; File No. E47434, Guide No. XAPX; CSA
- Installation Mounts on 1-gang switch box
- Includes: Locking cover and range stops

Fig. 1
120 or 277 VAC L-N Supply
120 or 277 VAC Heaters



Positive OFF position as required by Article 424-20 (A) of National Electric Code 2008 to allow the thermostat to act as both controller and disconnect provided the heaters are within sight of the thermostat and has appropriate electrical ratings.

Fig. 2
208 or 240 L-L Supply
208 or 240VAC Heaters

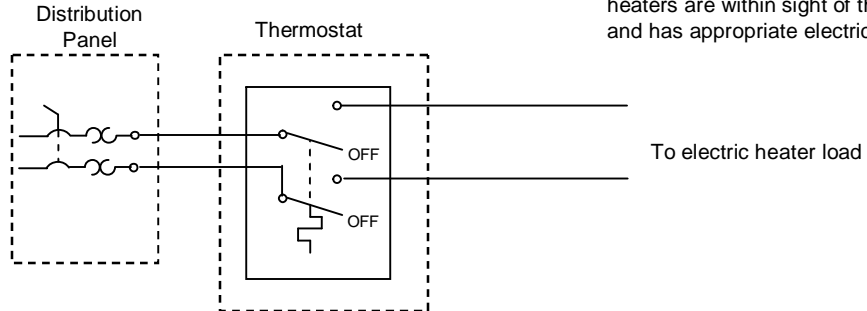
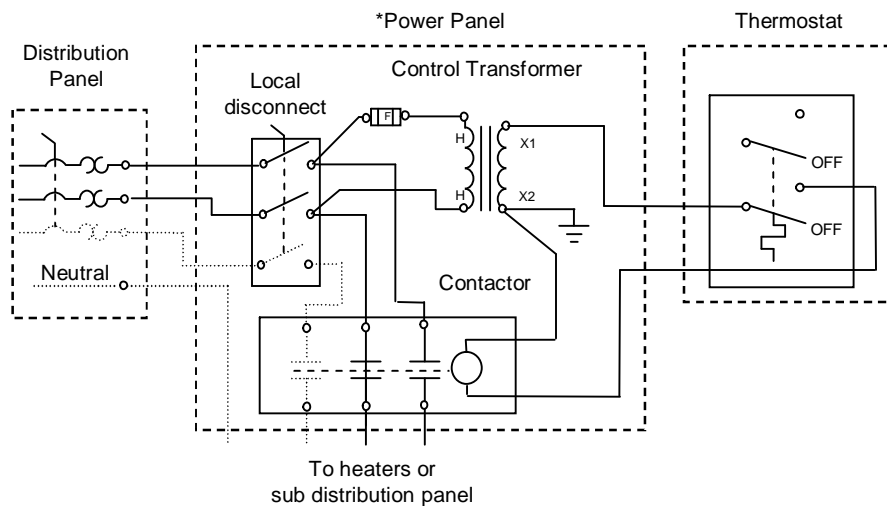


Fig. 3
For large loads greater than the contact ratings



*The Power Panel is not included with the thermostat. For quantities of 10 or more Radiant Optics would appreciate the opportunity to supply custom power panels. Please contact Radiant Optics Sales.

Fig. 4
120VAC Supply
for
Gas heater control

