

Wet and or corrosive locations

Remote sensor

Large control and differential range



5463

Part Number 5463

For price click www.radiantoptics.com/Controls/ThermostatWebPrice.pdf

Line voltage/pilot duty NEMA 4X heat/cool thermostats for industrial and commercial applications. Features a large settable differential, remote sensor, large control range, and LED readout. Excellent product for agricultural buildings, animal quarantine areas, kennels, sleet and ice control on machinery and outdoor catwalks.

•Specifications:

•120/(208-240)VAC powered

•Color/Material Light Gray NEMA1

•Output

•Contacts SPDT 15A Resistive 120VAC, 8A Resistive 208-240VAC, Pilot Duty 125VA voltages up to 240VAC

•See wiring diagram fig. 11 for line-neutral application

•See wiring diagram fig. 12 for line-line applications

•See wiring diagram fig. 13 for loads that are exceed the contacts

•See wiring diagram fig. 14 for gas heaters with 120VAC igniter and valve controller

•Differential Settable 1 to 30°F

•Control Range -30° to 220°F

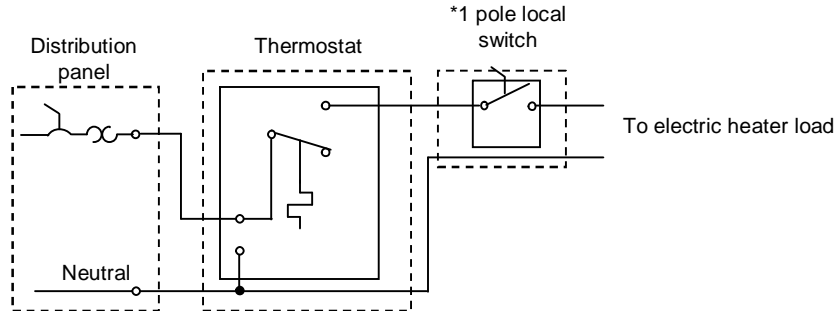
•Dimensions H 7.84" W 2.7" D 2.48"

•Approvals UL listed, file E94419, Guide XAPX; CSA certified, file LR68340. class 4813 02

•Installation Wall mount in any position

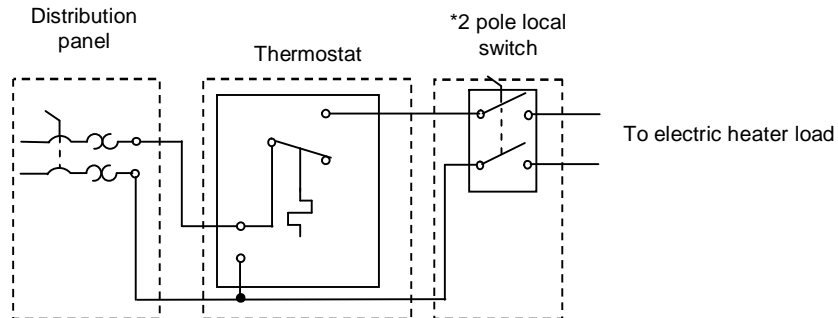
•Includes: Thermistor sensor, 2" long x 1/4" dia. with 8' cable, the sensor can be can be remote positioned up to 400 feet away using 22AWG 2-wire sensor, keypad lockout switch, and displayed diagnostics

Fig. 11
120 L-N Supply
120 VAC Heaters



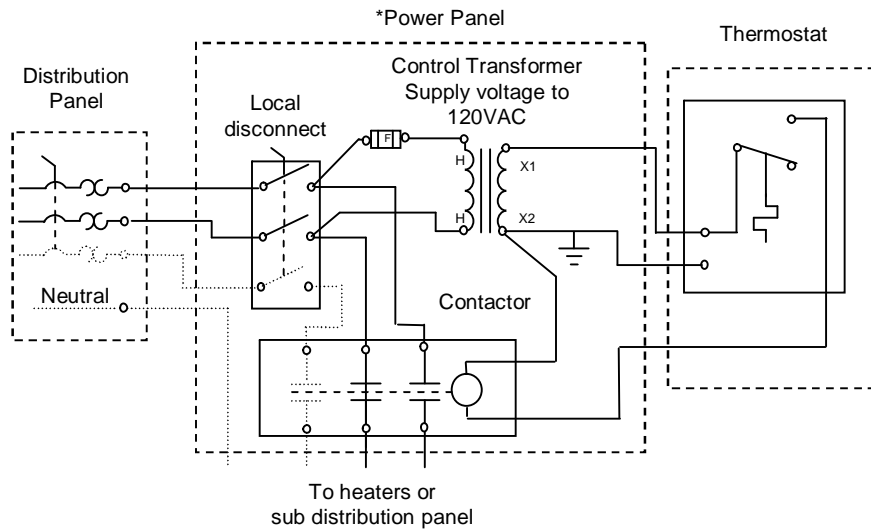
*1 pole local switch may be required, see National Electric Code 2008 Article 424.19 and Article 424.20 (B)

Fig. 12
208 or 240 L-L Supply
208 or 240 L-L Heaters



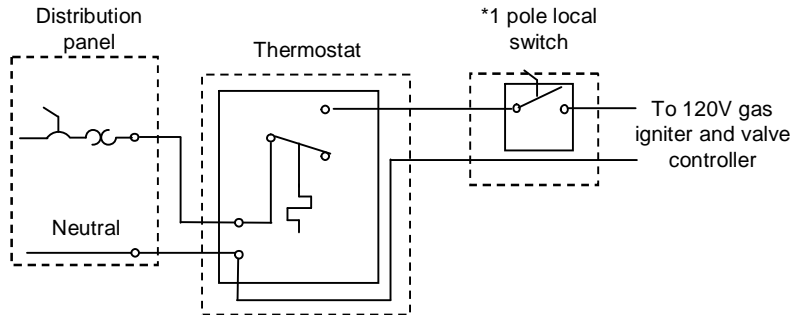
*2 pole local switch may be required, see National Electric Code 2008 Article 424.19 and Article 424.20 (B)

Fig.13
For large loads greater
than the thermostat
contact ratings



*The Power Panel is not included with the thermostat. For quantities of 10 or more Radiant Optics would appreciate the opportunity to supply custom power panels. Please contact Radiant Optics Sales.

Fig. 14
120VAC Supply
for
Gas heater control



*1 pole local switch may be required, see National Electric Code 2008 Article 424.19 and Article 424.20 (B)