

Wet and or corrosive locations

Remote sensor

**Large control and differential
Range**

Two stage



5464

Part Number 5464

For price click www.radiantoptics.com/Controls/ThermostatWebPrice.pdf

Line voltage/pilot duty two stage heat/cool thermostat for industrial and commercial applications. Features a large settable differential, remote sensor, large control range, and LED readout. The two stages make this an ideal for mixing heating types, e.g. one stage gas IR heaters and the other stage gas space heaters.

•Specifications:

•120/(208-240)VAC powered

•Color/Material Light Gray NEMA1

•Output

•Contacts 2) SPDT 9.8A Resistive 120VAC. 4.9A Resistive 208-240VAC, Pilot Duty 125VA voltages up to 240VAC

•See wiring diagrams fig. 16 for staged groups of gas IR heaters

•See wiring diagrams fig. 18 for mixed gas IR and gas space heaters

•See wiring diagrams fig. 20 for mixed electric IR and gas space heaters

•See wiring diagram fig. 22 for staged heating using 2 stage electric IR heaters

•Differential Settable 1 to 30°F

•Control Range -30° to 220°F

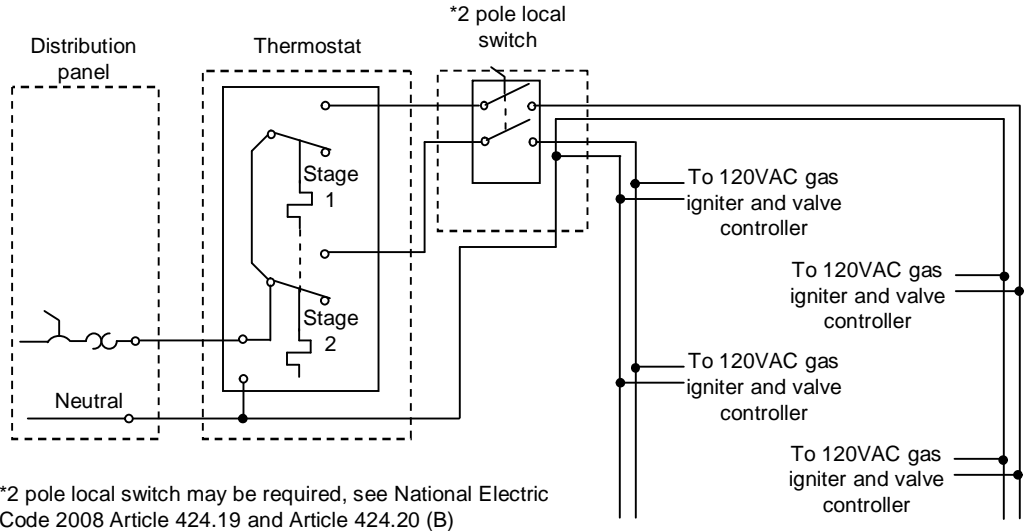
•Dimensions H 7.84" W 2.7" D 2.48"

•Approvals UL listed, file E94419, Guide XAPX; CSA certified, file LR68340. class 4813 02

•Installation Wall mount in any position

•Includes: Thermistor sensor, 2" long x 1/4" dia. with 8' cable, the sensor can be remote positioned up to 400 feet away using 22AWG 2-wire sensor, keypad lockout switch, and displayed diagnostics

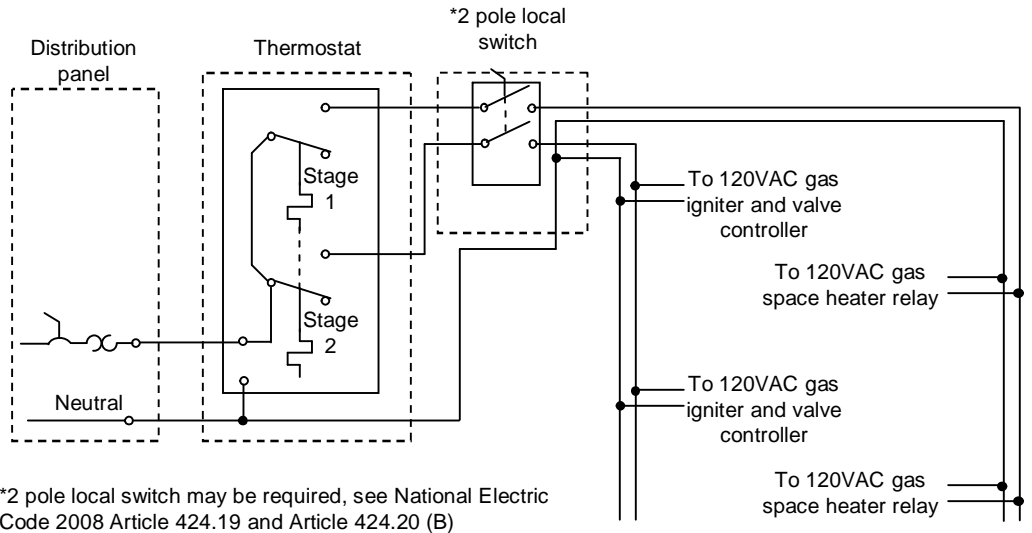
Fig. 16
120 L-N Supply
2 groups of gas IR heaters



*2 pole local switch may be required, see National Electric Code 2008 Article 424.19 and Article 424.20 (B)

2 groups of gas IR heaters
or
alternating heater in the same row

Fig. 18
Mixed heater types
120 L-N Supply
1) group of gas IR heaters
1) group of gas space heater



*2 pole local switch may be required, see National Electric Code 2008 Article 424.19 and Article 424.20 (B)

Gas IR heaters

Gas space heaters

Fig. 20
Mixed heater types
120 L-N Supply
1) group of electric IR heaters
1) group of gas space heater

*2 pole local switch may be required, see National Electric Code 2008 Article 424.19 and Article 424.20 (B)

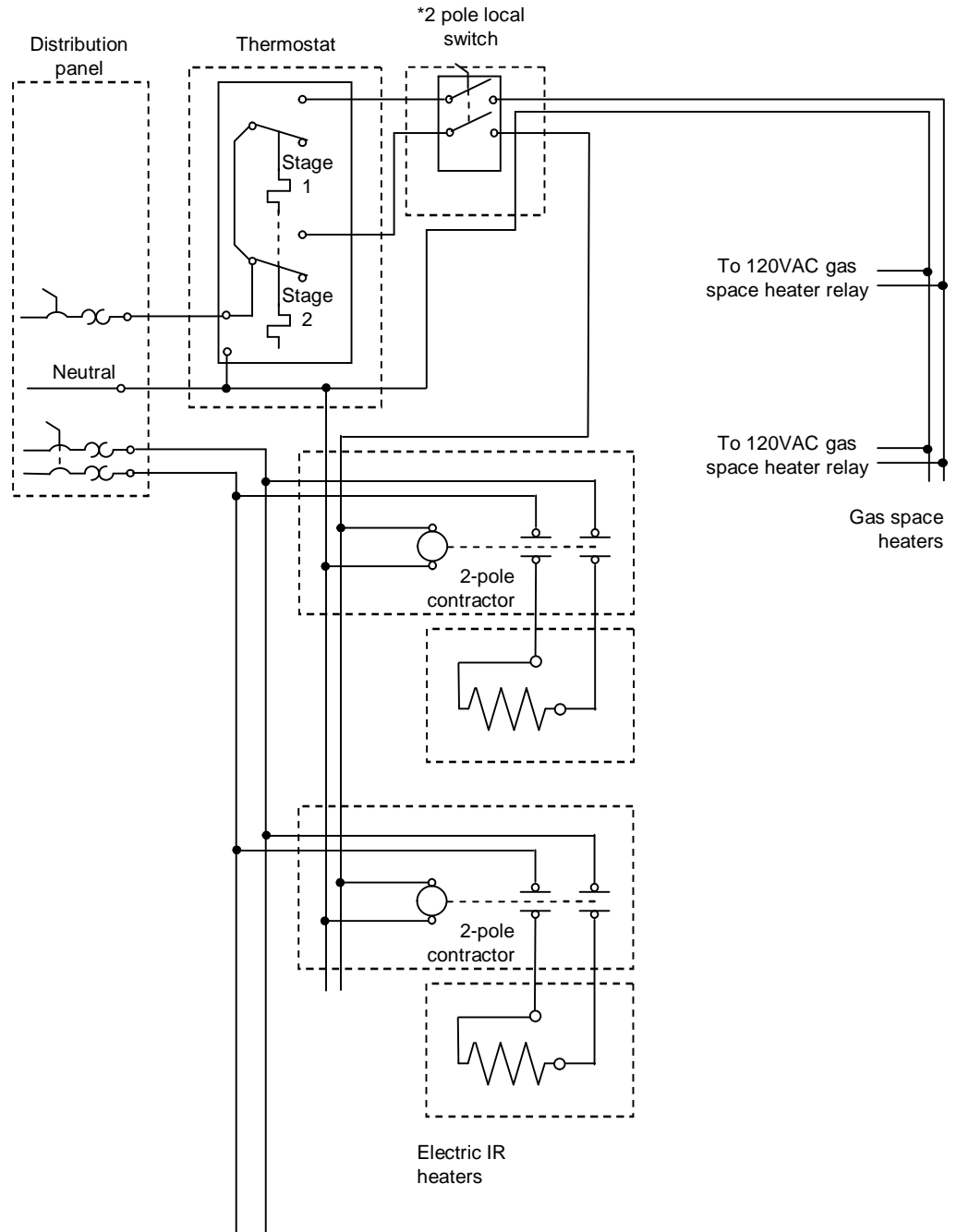
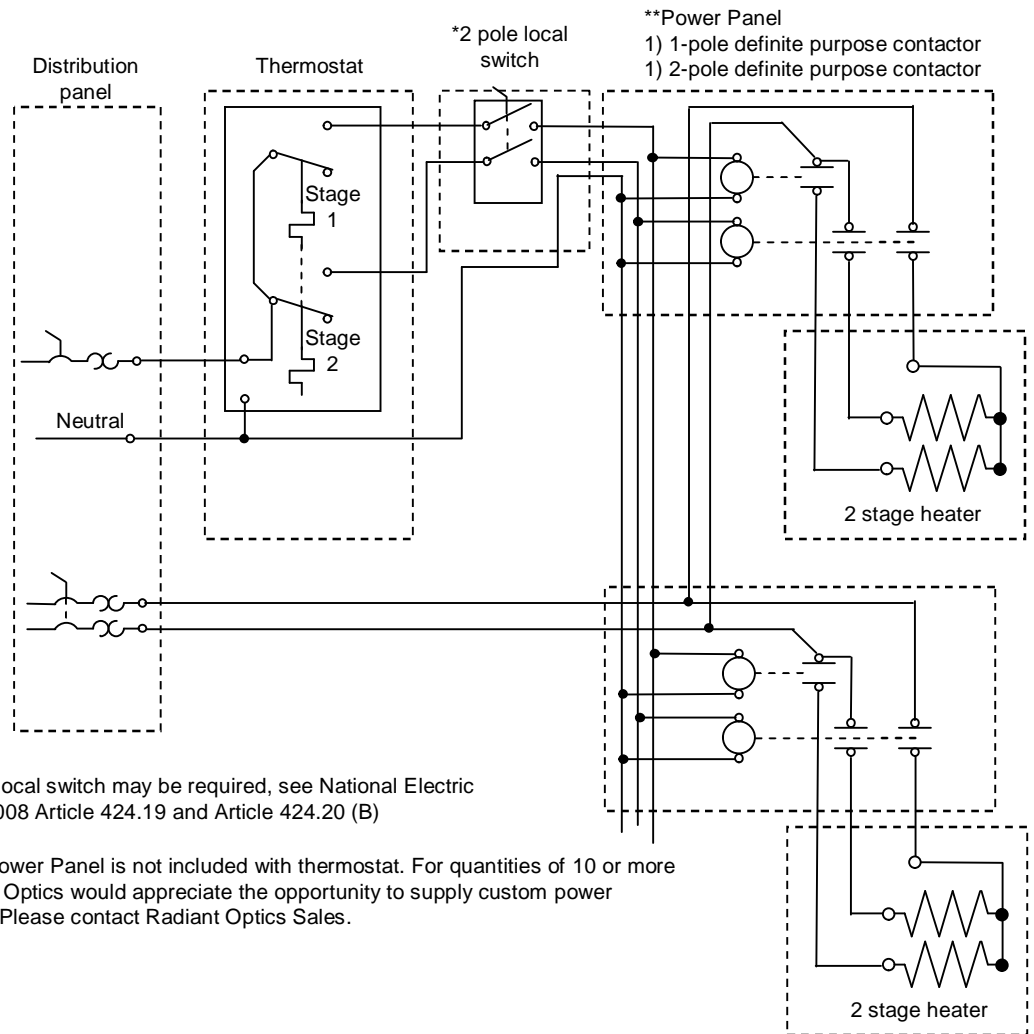


Fig. 22
Two stage electric heaters
120VAC thermostat supply
208 or 240 L-L 2 stage
electric IR heaters



*2 pole local switch may be required, see National Electric Code 2008 Article 424.19 and Article 424.20 (B)

**The Power Panel is not included with thermostat. For quantities of 10 or more Radiant Optics would appreciate the opportunity to supply custom power panels. Please contact Radiant Optics Sales.