

Indoor dry locations

7 Day Programmable

Two Stage



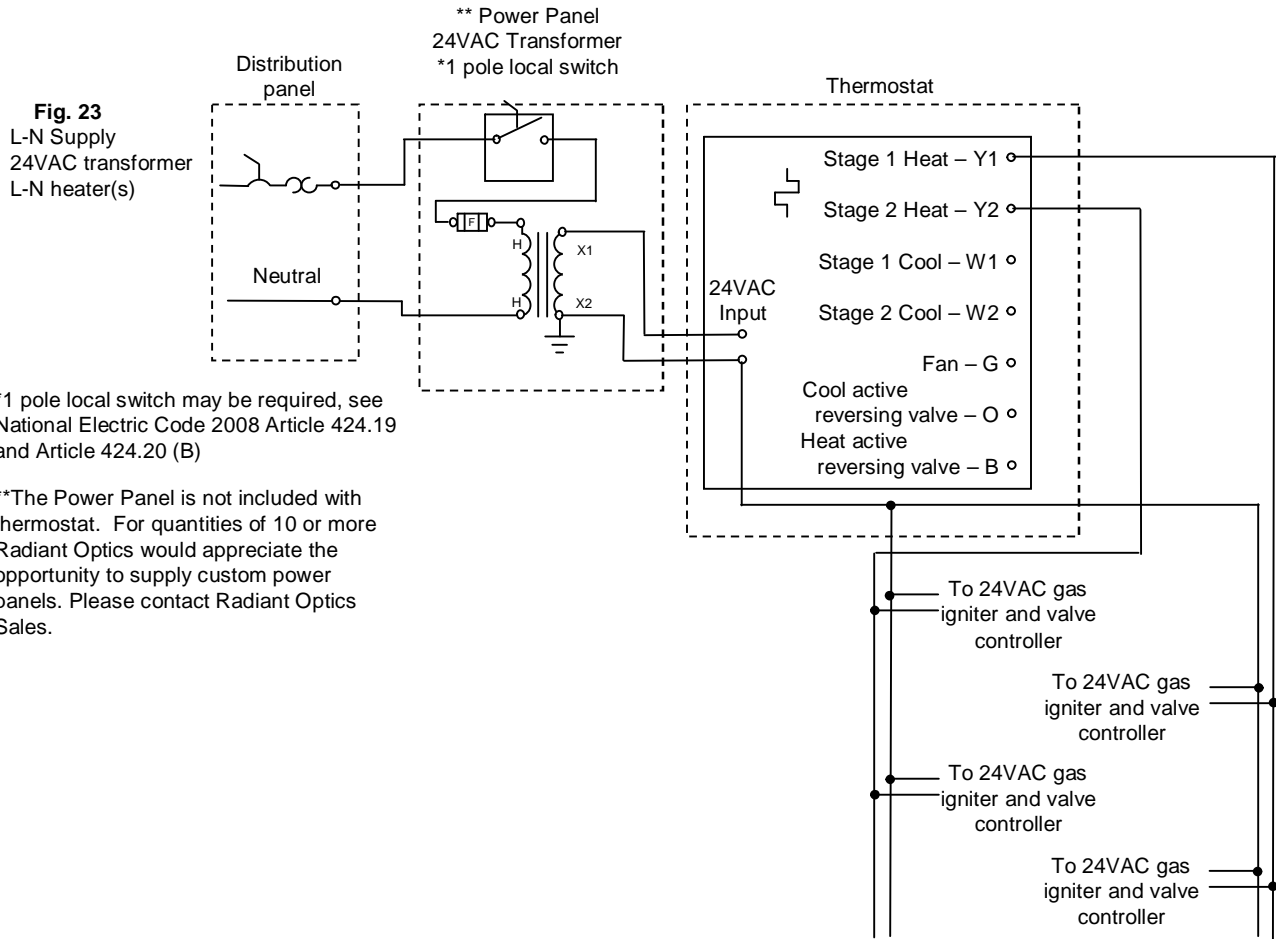
Part Number 5466

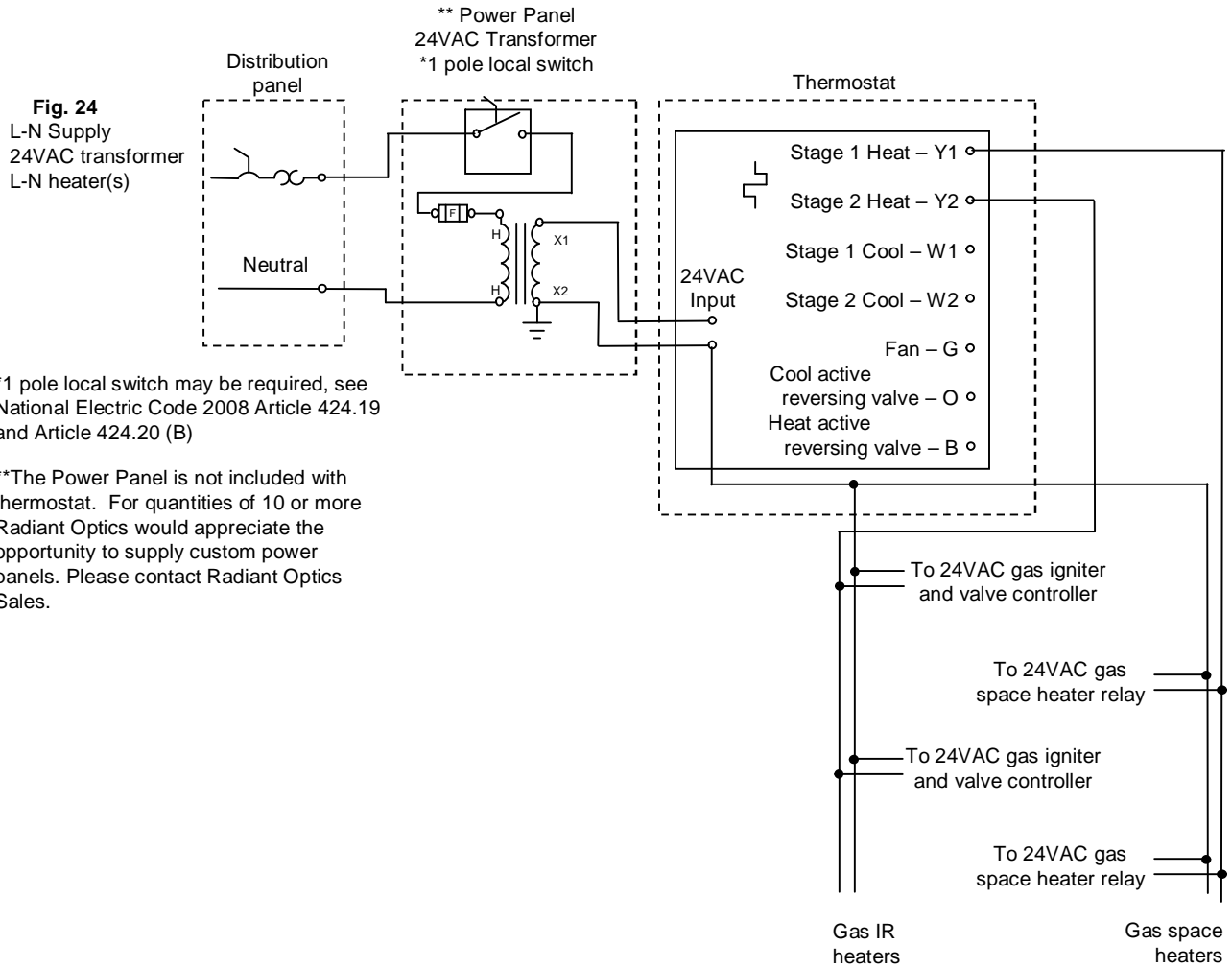
For price click www.radiantoptics.com/Controls/ThermostatWebPrice.pdf

Programmable electronic 7 day heat/cool two stage thermostats for use where control with respect to the time of day or day of the week is important. An example may be the entrance to an office building where heating may be decided as not necessary for certain evening/early morning hours or on the weekend. This stage thermostat is ideal for mixing heating types such as radiant heat and forced air heat.

Specifications:

- Color White
- Input power
 - 24VAC, consumes 80.5VA both internally and for outputs when outputs are used to the maximum
 - 3VDC, (2AA batteries included)
- Outputs
 - 7 solid state Y1) Heat stage 1, Y2) Heat stage 2, W1) Cool stage 1, W2, Cool stage 2, G) Fan control, O) Cool active reversing valve, B) Heat active reversing valve
 - 1 A maximum per any single output 3 A total maximum per thermostat
 - See wiring diagrams fig. 23 for staged groups of gas IR heaters
 - See wiring diagrams fig. 24 for mixed gas IR and gas space heaters
 - See wiring diagrams fig. 25 for mixed electric IR and gas space heaters
 - See wiring diagram fig. 26 for staged heating using 2 stage electric IR heaters
- Built-in freeze protection will turn on heat at approximately 45° F regardless of the set-point.
- Differential settable 1° - 5°F stage 1, 2° - 6°F stage 2
- Control Range 45° to 90°F
- Dimensions H 3-3/4" W 5-1/2" D 1-5/16"
- Approvals UL listed
- Installations wall mount on 1-gang switch box
- Includes: Build-in sensor, LCD read-out, settable control range limits, temporary override on cover





*1 pole local switch may be required, see National Electric Code 2008 Article 424.19 and Article 424.20 (B)

**The Power Panel is not included with thermostat. For quantities of 10 or more Radiant Optics would appreciate the opportunity to supply custom power panels. Please contact Radiant Optics Sales.

Fig. 25
L-N Supply
24VAC transformer
L-N heater(s)

*1 pole local switch
may be required,
see National Electric
Code 2008 Article
424.19 and Article
424.20 (B)

**The Power Panel is not included with thermostat.
For quantities of 10 or more Radiant Optics would
appreciate the opportunity to supply custom power
panels. Please contact Radiant Optics Sales.

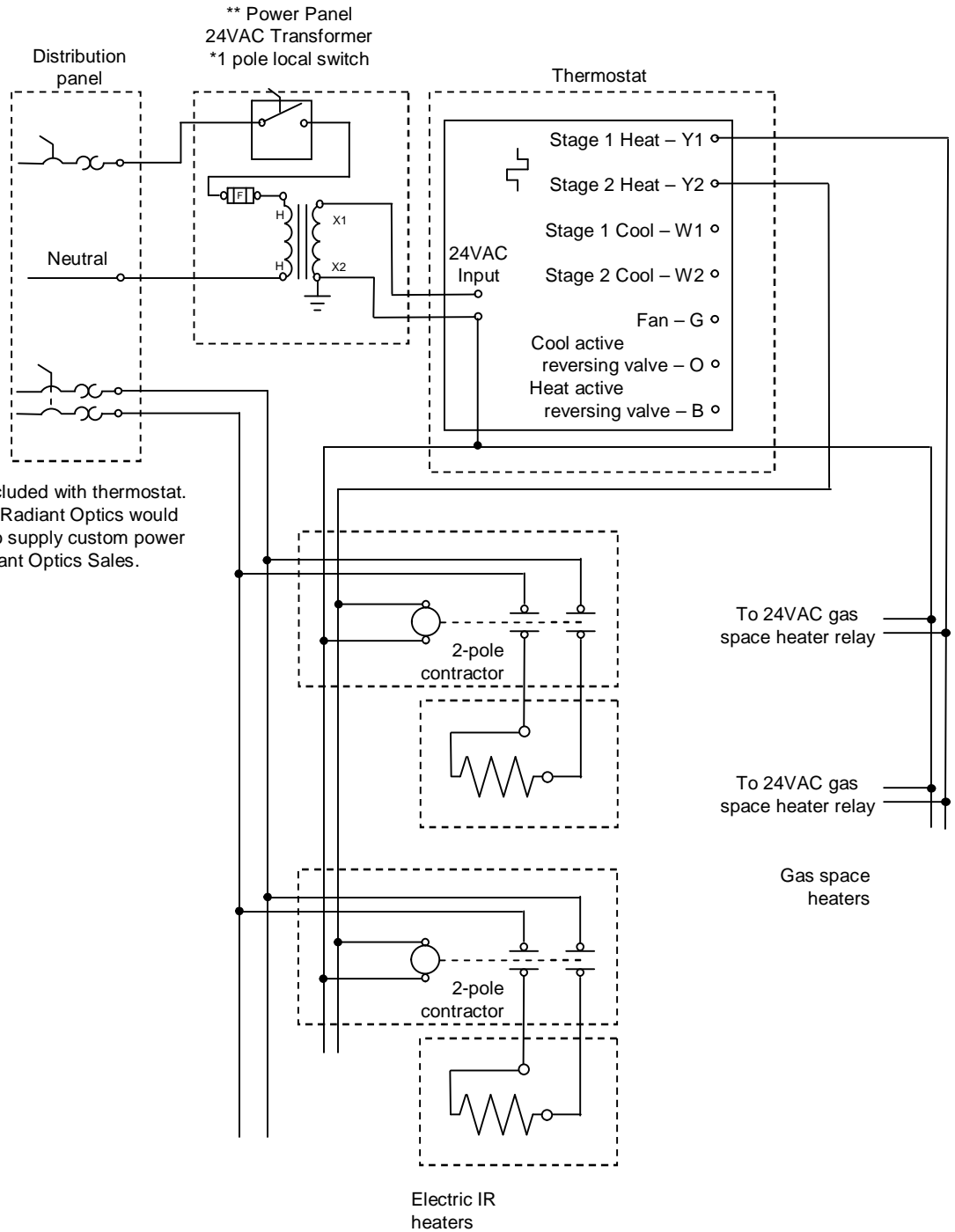


Fig. 26
L-N Supply
24VAC transformer
L-N heater(s)

*1 pole local switch
may be required,
see National Electric
Code 2008 Article
424.19 and Article
424.20 (B)

**The Power Panel is not included with
thermostat. For quantities of 10 or more
Radiant Optics would appreciate the
opportunity to supply custom power panels.
Please contact Radiant Optics Sales.

