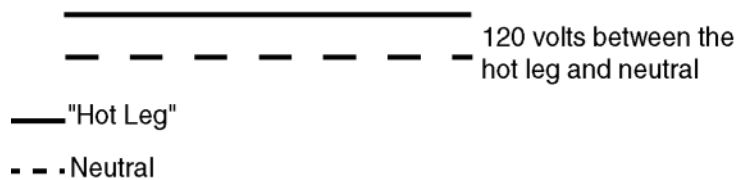


The elements used in the Schaefer HotZone<sup>®</sup> heaters use a variety of volts and wiring structures depending on specifications. Below are diagrams and tables for clarification and understanding of your heater's element design.

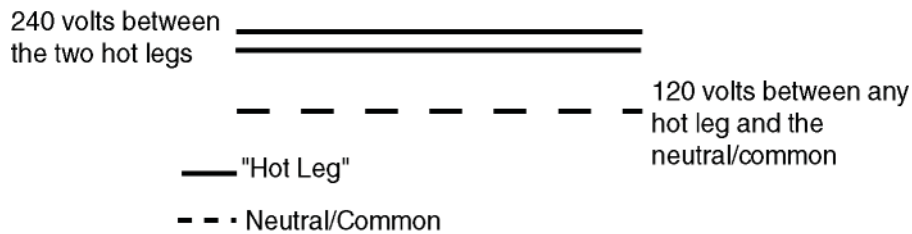
## Single Phase Elements

### 120 Volt Single Phase



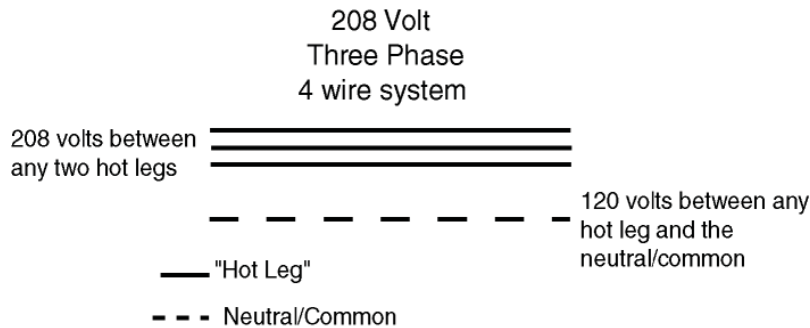
Possible Elements by Heater Size		
1500W	3000W	5000W
120	120	120
120-S2	20Y(208Y)	20Y(208Y)

### 240 Volt Single Phase

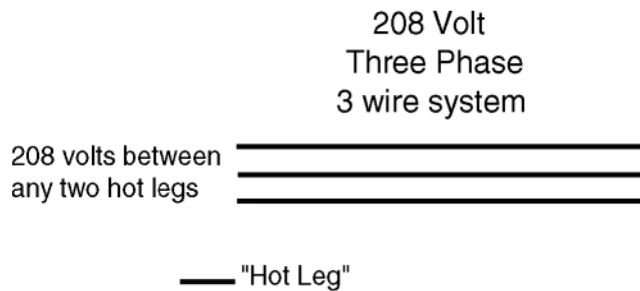


Possible Elements by Heater Size		
1500W	3000W	5000W
120	120	120
120-S2	240	240
240	480	480
	20Y(208Y)	20Y(208Y)

## Three Phase Elements

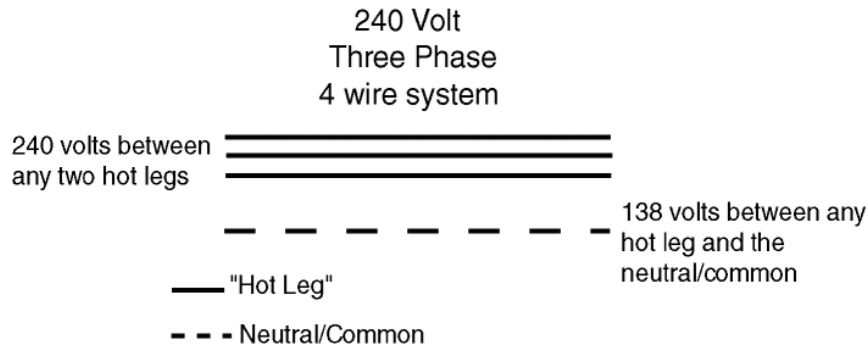


Possible Elements by Heater Size		
1500W	3000W	5000W
120	120	120
120-S2	208	208
208	20Y (208Y)	20Y (208Y)
	20D (208D)	20D (208D)

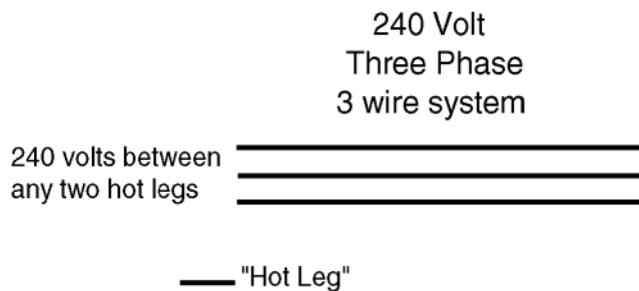


Possible Elements by Heater Size		
1500W	3000W	5000W
208	208	208
	20D (208D)	20D (208D)

## Three Phase Elements

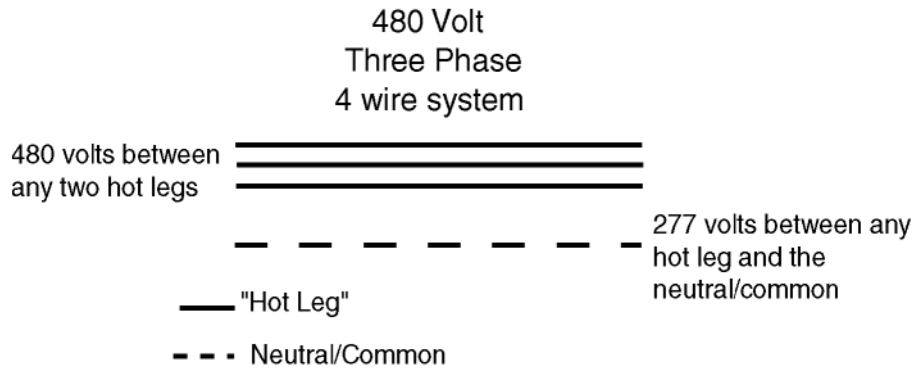


Possible Elements by Heater Size		
1500W	3000W	5000W
120-S2	120	120
240	240	240
		24D (240D)
	480	480

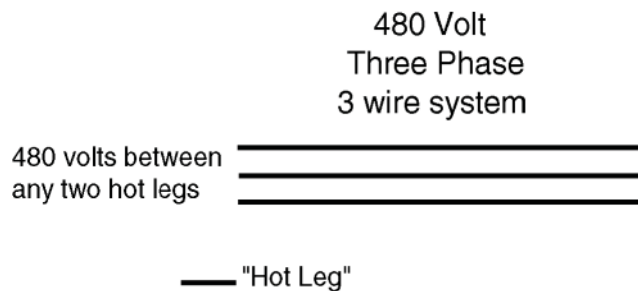


Possible Elements by Heater Size		
1500W	3000W	5000W
120-S2	240	240
240	480	24D (240D)
		480

## Three Phase Elements



Possible Elements by Heater Size		
1500W	3000W	5000W
277	277	277
	277-S2	240
	240	480
	480	48Y (480Y)



Possible Elements by Heater Size		
1500W	3000W	5000W
	240	240
	480	480